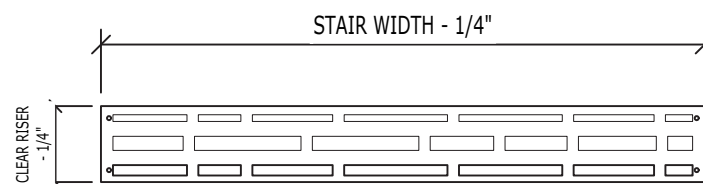
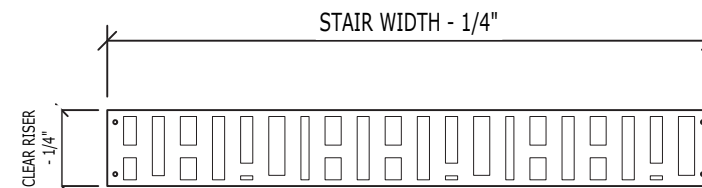


METAL PERFORATED RISERS

ISOMETRIC VIEW



Metalspaces PP05-H-.12xHEIGHTxLENGTH



Metalspaces-PP05-V-.12xHEIGHTxLENGTH



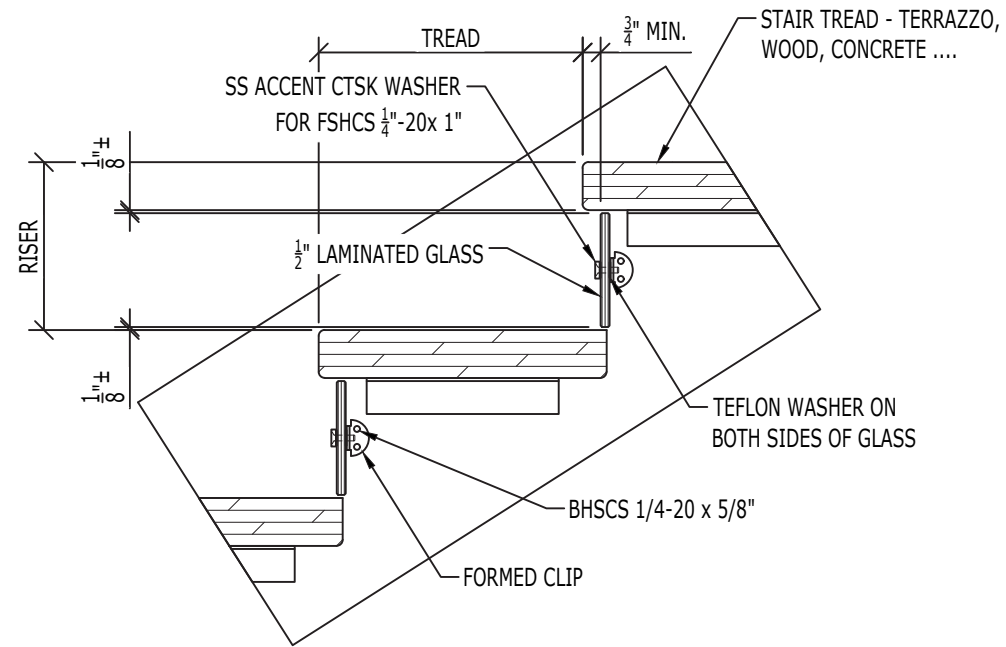
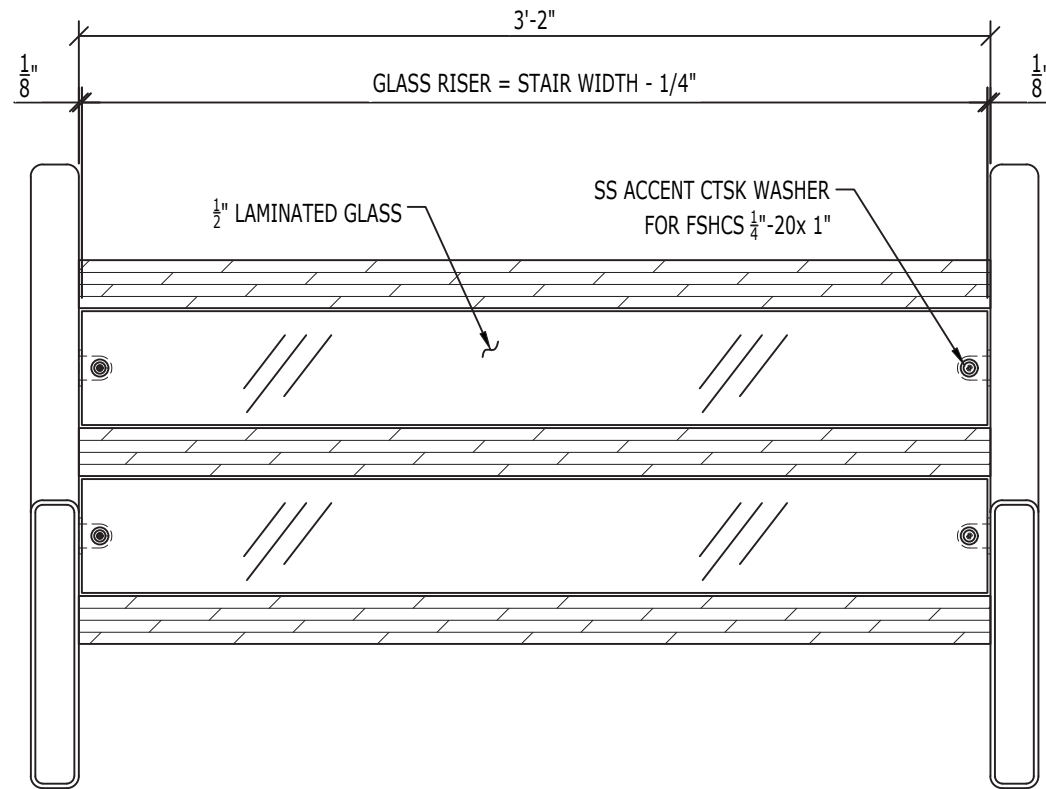
Metalspaces PP08-H-.12xHEIGHTxLENGTH

STANDARD PATTERNS SHOWN

MATERIAL:  
ALUMINUM: 1/8", 3/16" & 1/4"  
STAINLESS STEEL 14GA  
STEEL 14GA & 11GA

FINISH:  
ALUMINUM ~ POWDER COAT  
STAINLESS STEEL ~ BRUSHED SATIN  
STEEL ~ POWDER COAT AND OXIDIZED

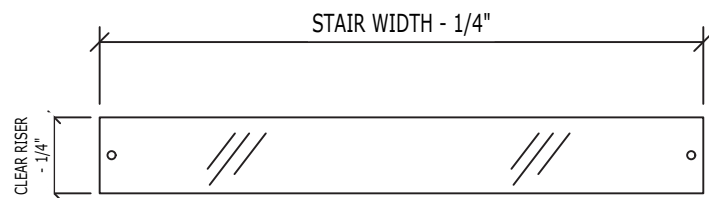
AN ARRAY OF PATTERNS, FINISHES AND SIZES  
ARE AVAILABLE ON REQUEST



**GLASS RISERS WITH EXPOSED FASTENER**

MATERIAL: LAMINATED 1/2" GLASS  
FINISH: CLEAR

AN ARRAY OF FINISHES AND SIZES  
ARE AVAILABLE ON REQUEST

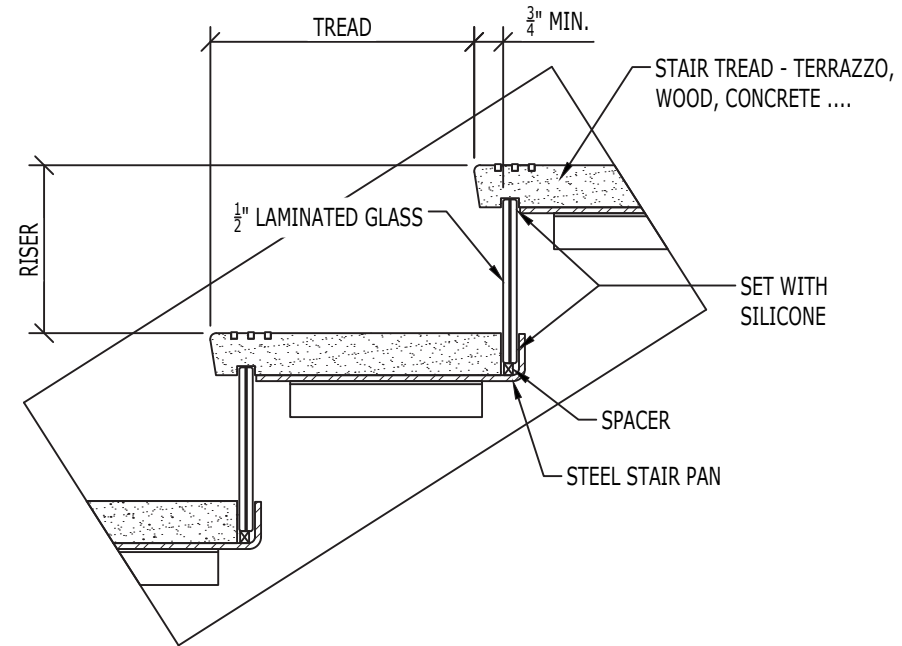
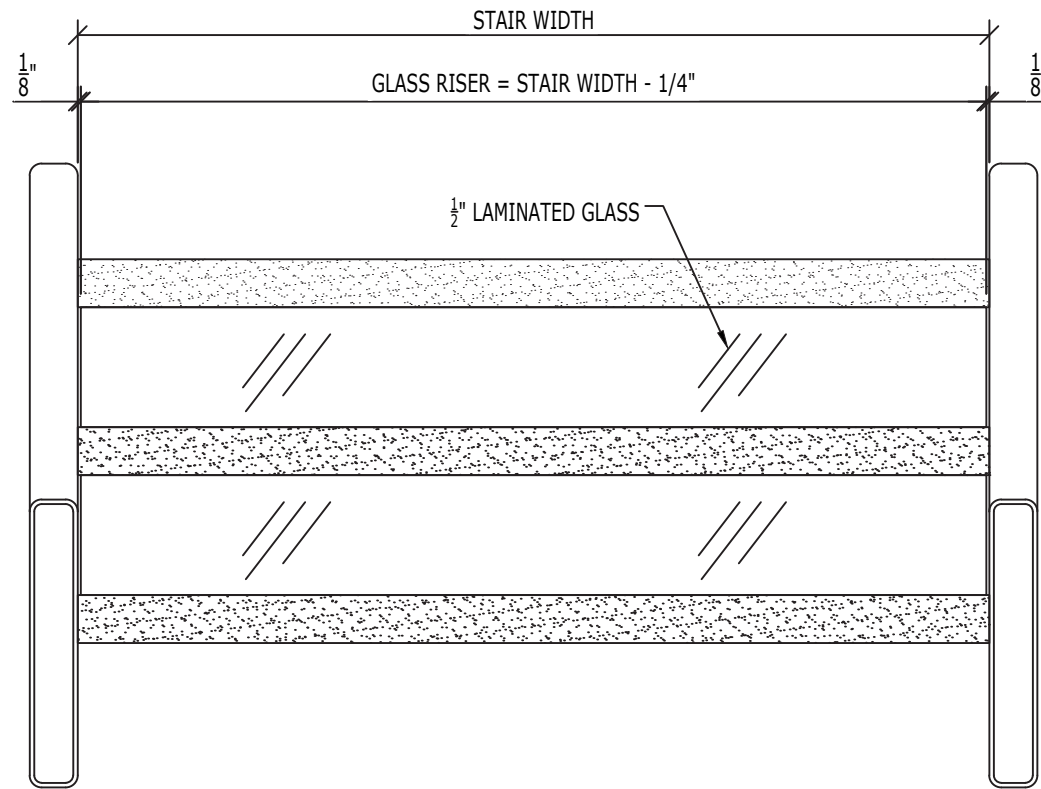


Metalspaces GLS-LA-.50xHEIGHTxLENGTH  
LAMINATED CLEAR GLASS



**ISOMETRIC VIEW**

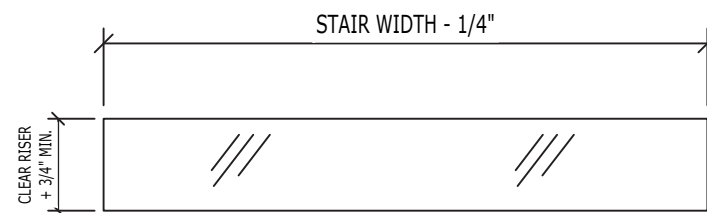
METALSPACES IS NOT RESPONSIBLE FOR THE STRUCTURAL INTEGRITY OF ANY BUILDING SYSTEMS OR OTHER MATERIALS NOT FURNISHED BY METALSPACES. METALSPACES HAS NO WAY OF KNOWING AND SPECIFICALLY DISCLAIMS WHETHER OR NOT THE BUILDING SYSTEMS TO WHICH METALSPACES' PRODUCTS ARE TO BE ATTACHED ARE STRUCTURALLY SOUND OR DESIGNED TO PROPERLY SUPPORT METALSPACES'S MATERIALS. ANY SUCH DESIGN RESPONSIBILITY BELONGS TO OTHERS FOR WHOM METALSPACES IS NOT RESPONSIBLE. THESE DRAWINGS ARE INTENDED FOR THE SOLE USE OF METALSPACES' CUSTOMER AND THEIR AGENTS FOR THE INSTALLATION OF PRODUCTS FURNISHED BY METALSPACES. METALSPACES REMAINS THE SOLE OWNER OF ALL DESIGNS AND INTELLECTUAL PROPERTY CONTAINED WITHIN. REPRODUCTION AND USE OF THESE DESIGNS FOR ANY OTHER PURPOSE IS FORBIDDEN. SCALES ARE PROVIDED FOR REFERENCE ONLY. FOR PRODUCT INFORMATION AND TECHNICAL SUPPORT, PLEASE CONTACT METALSPACES.



**GLASS RISERS SET IN TREAD POCKETS**

MATERIAL: LAMINATED 1/2" GLASS  
FINISH: CLEAR

AN ARRAY OF FINISHES AND SIZES  
ARE AVAILABLE ON REQUEST



**Metalspaces GLS-LA-.50xHEIGHTxLENGTH**  
LAMINTAED CLEAR GLASS



**SECTION DETAIL THROUGH RISER**

METALSPACES IS NOT RESPONSIBLE FOR THE STRUCTURAL INTEGRITY OF ANY BUILDING SYSTEMS OR OTHER MATERIALS NOT FURNISHED BY METALSPACES. METALSPACES HAS NO WAY OF KNOWING AND SPECIFICALLY DISCLAIMS WHETHER OR NOT THE BUILDING SYSTEMS TO WHICH METALSPACES' PRODUCTS ARE TO BE ATTACHED ARE STRUCTURALLY SOUND OR DESIGNED TO PROPERLY SUPPORT METALSPACES'S MATERIALS. ANY SUCH DESIGN RESPONSIBILITY BELONGS TO OTHERS FOR WHOM METALSPACES IS NOT RESPONSIBLE. THESE DRAWINGS ARE INTENDED FOR THE SOLE USE OF METALSPACES' CUSTOMER AND THEIR AGENTS FOR THE INSTALLATION OF PRODUCTS FURNISHED BY METALSPACES. METALSPACES REMAINS THE SOLE OWNER OF ALL DESIGNS AND INTELLECTUAL PROPERTY CONTAINED WITHIN. REPRODUCTION AND USE OF THESE DESIGNS FOR ANY OTHER PURPOSE IS FORBIDDEN. SCALES ARE PROVIDED FOR REFERENCE ONLY. FOR PRODUCT INFORMATION AND TECHNICAL SUPPORT, PLEASE CONTACT METALSPACES.