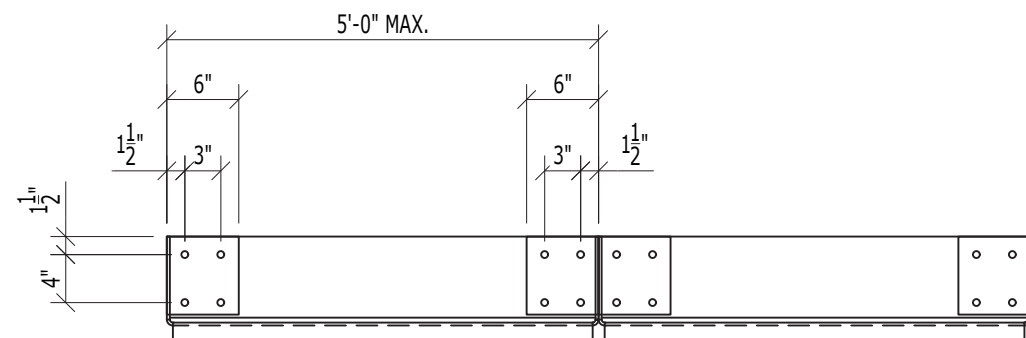
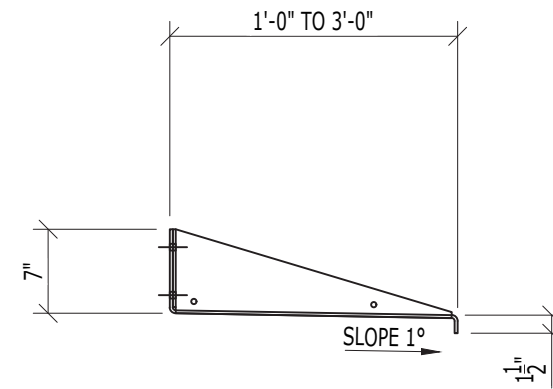


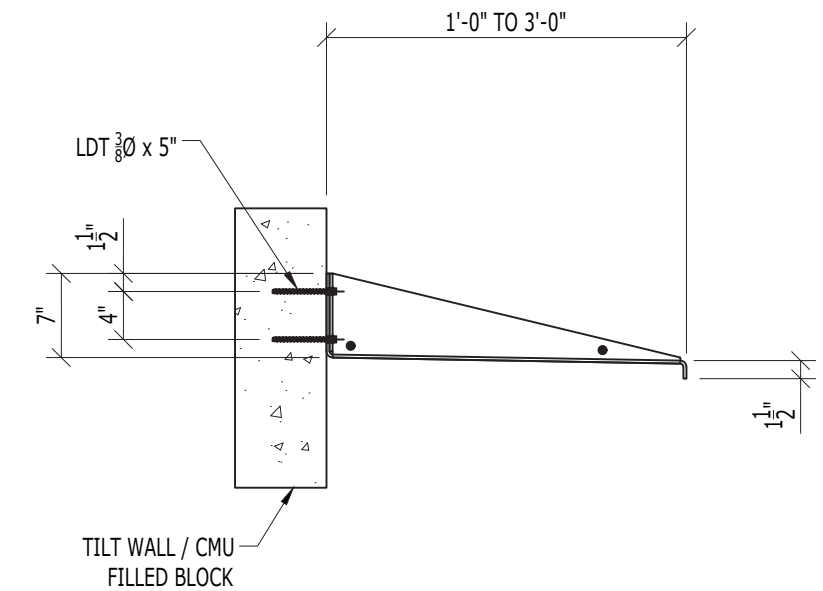
**WING SUNSHADE PLAN VIEW**



**WING SUNSHADE FRONT VIEW**



**WING SUNSHADE TYPICAL SECTION**



**SECTION - CONNECTION TO CMU / TILT-WALL**



**RENDERING IMAGES**

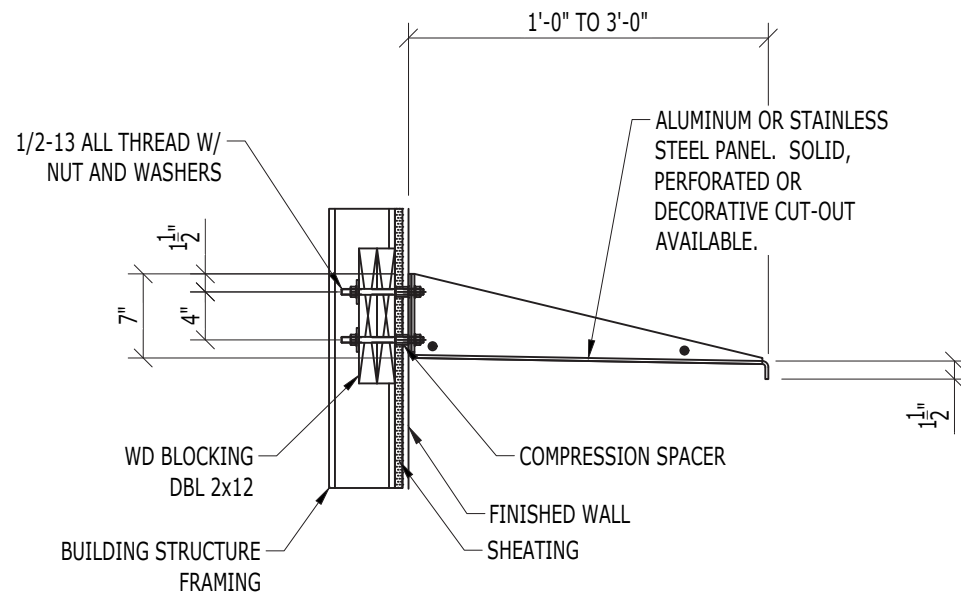
**MATERIAL:**  
ALUMINUM: 1/8", 3/16" & 1/4"  
STAINLESS STEEL 14GA  
STEEL 14GA & 11GA

**FINISH:**  
ALUMINUM ~ POWDER COAT AND PVDF  
STAINLESS STEEL ~ BRUSHED SATIN  
STEEL ~ POWDER COAT AND PVDF

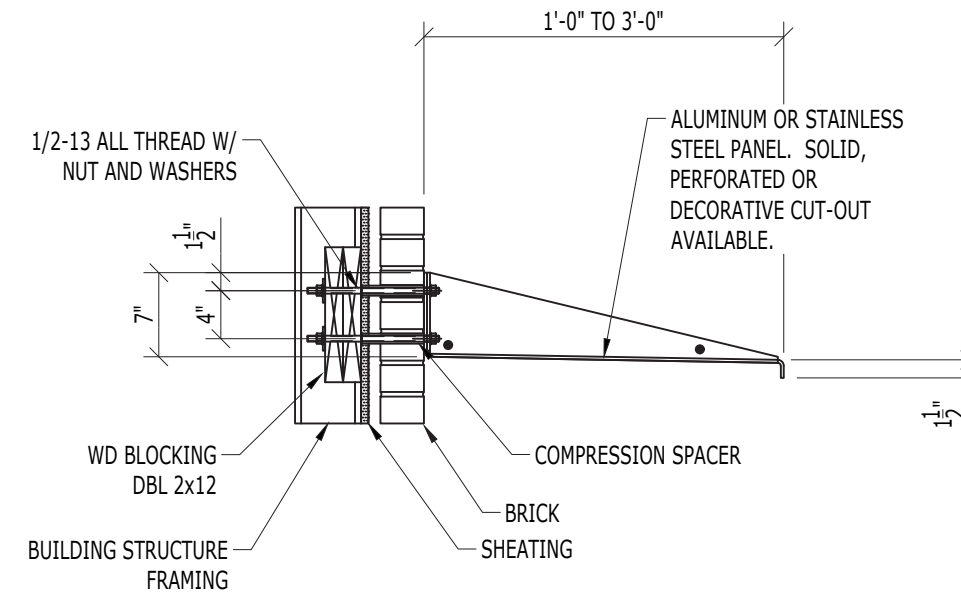
AN ARRAY OF FINISHES AND SIZES ARE AVAILABLE ON REQUEST

SELECT PATTERNS FROM  
[www.metalspaces.com](http://www.metalspaces.com)

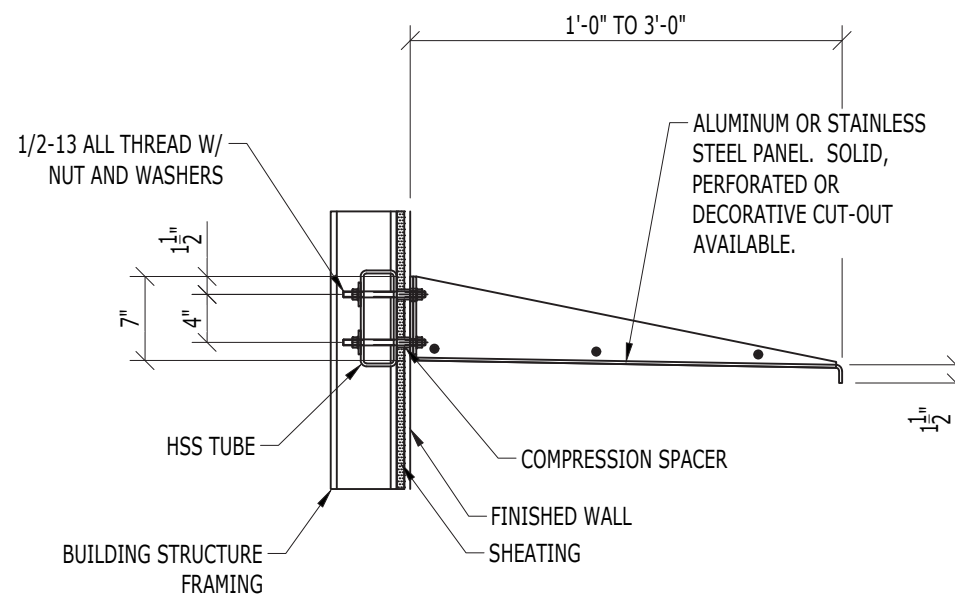
METALSPACES IS NOT RESPONSIBLE FOR THE STRUCTURAL INTEGRITY OF ANY BUILDING SYSTEMS OR OTHER MATERIALS NOT FURNISHED BY METALSPACES. METALSPACES HAS NO WAY OF KNOWING AND SPECIFICALLY DISCLAIMS WHETHER OR NOT THE BUILDING SYSTEMS TO WHICH METALSPACES' PRODUCTS ARE TO BE ATTACHED ARE STRUCTURALLY SOUND OR DESIGNED TO PROPERLY SUPPORT METALSPACES'S MATERIALS. ANY SUCH DESIGN RESPONSIBILITY BELONGS TO OTHERS FOR WHOM METALSPACES IS NOT RESPONSIBLE. THESE DRAWINGS ARE INTENDED FOR THE SOLE USE OF METALSPACES' CUSTOMER AND THEIR AGENTS FOR THE INSTALLATION OF PRODUCTS FURNISHED BY METALSPACES. METALSPACES REMAINS THE SOLE OWNER OF ALL DESIGNS AND INTELLECTUAL PROPERTY CONTAINED WITHIN. REPRODUCTION AND USE OF THESE DESIGNS FOR ANY OTHER PURPOSE IS FORBIDDEN. SCALES ARE PROVIDED FOR REFERENCE ONLY. FOR PRODUCT INFORMATION AND TECHNICAL SUPPORT, PLEASE CONTACT METALSPACES.



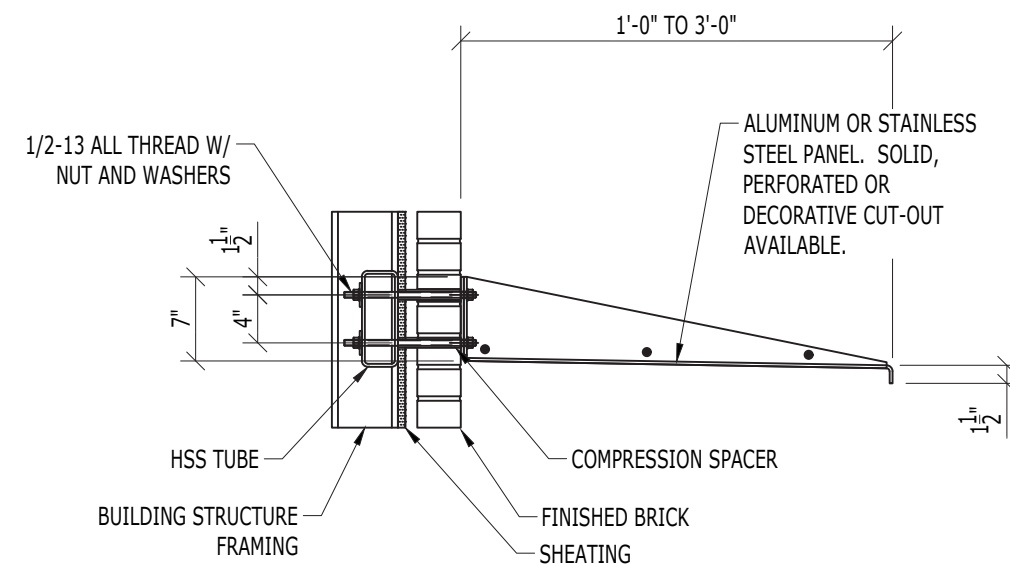
**SECTION - CONNECTION TO WOOD BLOCKING**



**SECTION - BRICK CONNECTION TO WOOD BLOCKING**



**SECTION - CONNECTION TO HSS**



**SECTION - BRICK CONNECTION TO HSS**

METALSPACES IS NOT RESPONSIBLE FOR THE STRUCTURAL INTEGRITY OF ANY BUILDING SYSTEMS OR OTHER MATERIALS NOT FURNISHED BY METALSPACES. METALSPACES HAS NO WAY OF KNOWING AND SPECIFICALLY DISCLAIMS WHETHER OR NOT THE BUILDING SYSTEMS TO WHICH METALSPACES' PRODUCTS ARE TO BE ATTACHED ARE STRUCTURALLY SOUND OR DESIGNED TO PROPERLY SUPPORT METALSPACES'S MATERIALS. ANY SUCH DESIGN RESPONSIBILITY BELONGS TO OTHERS FOR WHOM METALSPACES IS NOT RESPONSIBLE. THESE DRAWINGS ARE INTENDED FOR THE SOLE USE OF METALSPACES' CUSTOMER AND THEIR AGENTS FOR THE INSTALLATION OF PRODUCTS FURNISHED BY METALSPACES. METALSPACES REMAINS THE SOLE OWNER OF ALL DESIGNS AND INTELLECTUAL PROPERTY CONTAINED WITHIN. REPRODUCTION AND USE OF THESE DESIGNS FOR ANY OTHER PURPOSE IS FORBIDDEN. SCALES ARE PROVIDED FOR REFERENCE ONLY. FOR PRODUCT INFORMATION AND TECHNICAL SUPPORT, PLEASE CONTACT METALSPACES.